

SPECIFICATION

HS CODE	8419.89.9000
PRODUCT	1kg SHOP ROASTER
MODEL NO	THCR-01

1. PRODUCT :

2. PURPOSE:

For training, Sample roasting, For profiling test

3. COMPONENT: BODY + CYCLONE

4. TYPE :

GAS (LPG / NATURAL GAS)

ELECTRIC (HEATER)

5. COLOUR : RED / MATT BLACK

6. FEATURES

MULTI PURPOSE ROASTER

EASY TO OBSERVE ROASTING PROCESS

QUICK BEAN RELEASE

CLEAN SILVER SKIN COLLECT

STABLE RADIANT HEAT TRANSFER

PRECISE AIR AND HEAR CONTROL

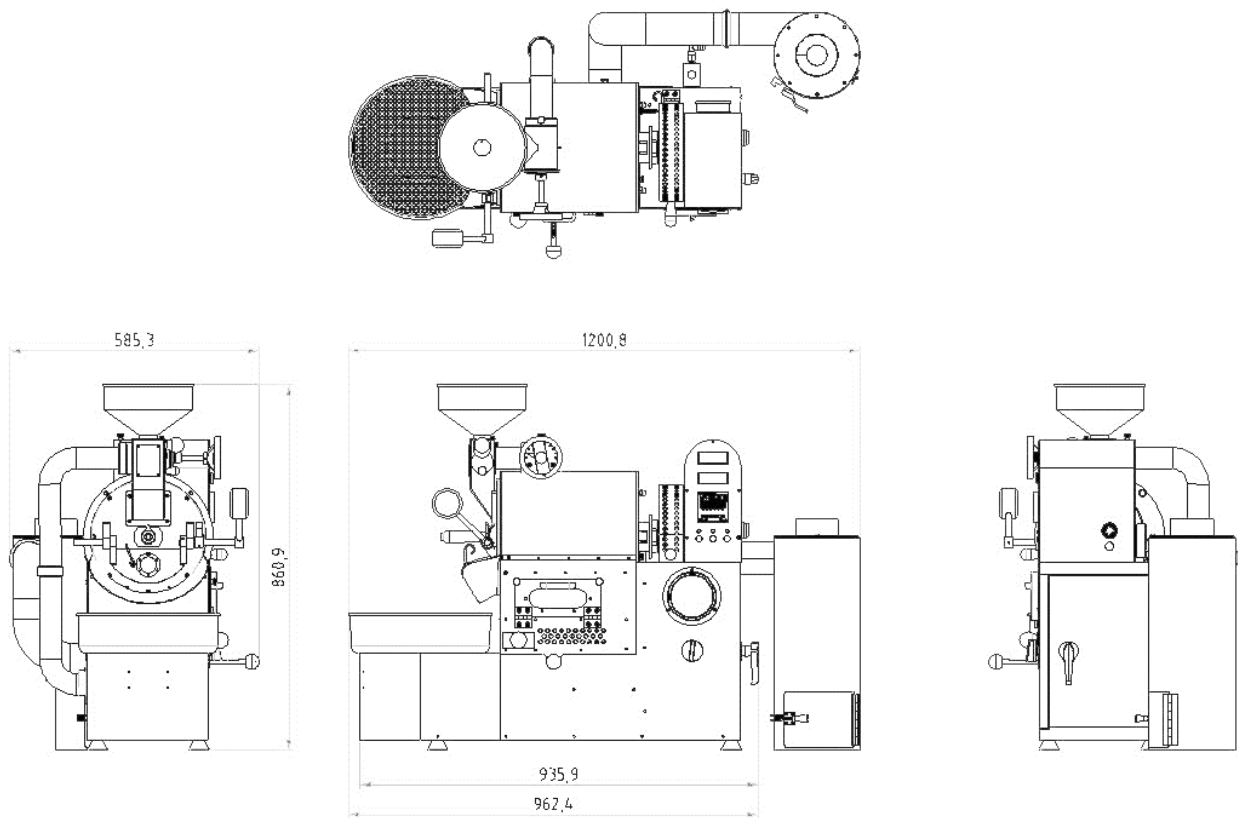
A POWERFUL COOLING



7. SPECIFICATION

DIMENSION (W) x (L) x (H) mm	1200 x 585 x 865 mm
POWER	단상 220V 60Hz
WORK CAPACITY	MAX 1.5 kg / batch
WORKING TIME	5~20 MINS
POWER CONSUMPTION	0.2kw (GAS) / 3.5kw (ELECTIC)
GAS PRESSURE	LOW PRESSURE FOR HOME USE
GAS CONSUMPTION	LPG 0.34kg/h LNG 4300kcal/h

8. SIZE



9. PREPARATION: TABLE, GAS, VENTILATION SYSTEM, GAS AND POWER SUPPLY

PROASTER
프로스타

T. 82-32- 624- 3410~3

F. 82-32- 624 3414

E. Taehwan.mj@gmail.com