

SPECIFICATION

HS CODE	8419.89. 9000
PRODUCT	10kg SHOP ROASTER
MODEL No.	THCR-06

1. PRODUCT

10kg shop roaster

2. PURPOSE

For Espresso blend, In-shop production, Small-quantity production, etc.

3. COMPONENTS

BODY + CYCLONE

4. TYPE

GAS (LPG / NATURAL GAS)

5. COLOUR

RED / MATT BLACK

6. FEATURES

EASY TO OBSERVE ROASTING PROCESS

QUICK BEAN RELEASE

CLEAN SILVER SKIN COLLECT

STABLE RADIANT HEAT TRANSFER AND HOT AIR

PRECISE AIR AND HEAT CONTROL

POWERFUL COOLING

HIGH HEAT CONDUCTIVITY BY A GREAT HOT

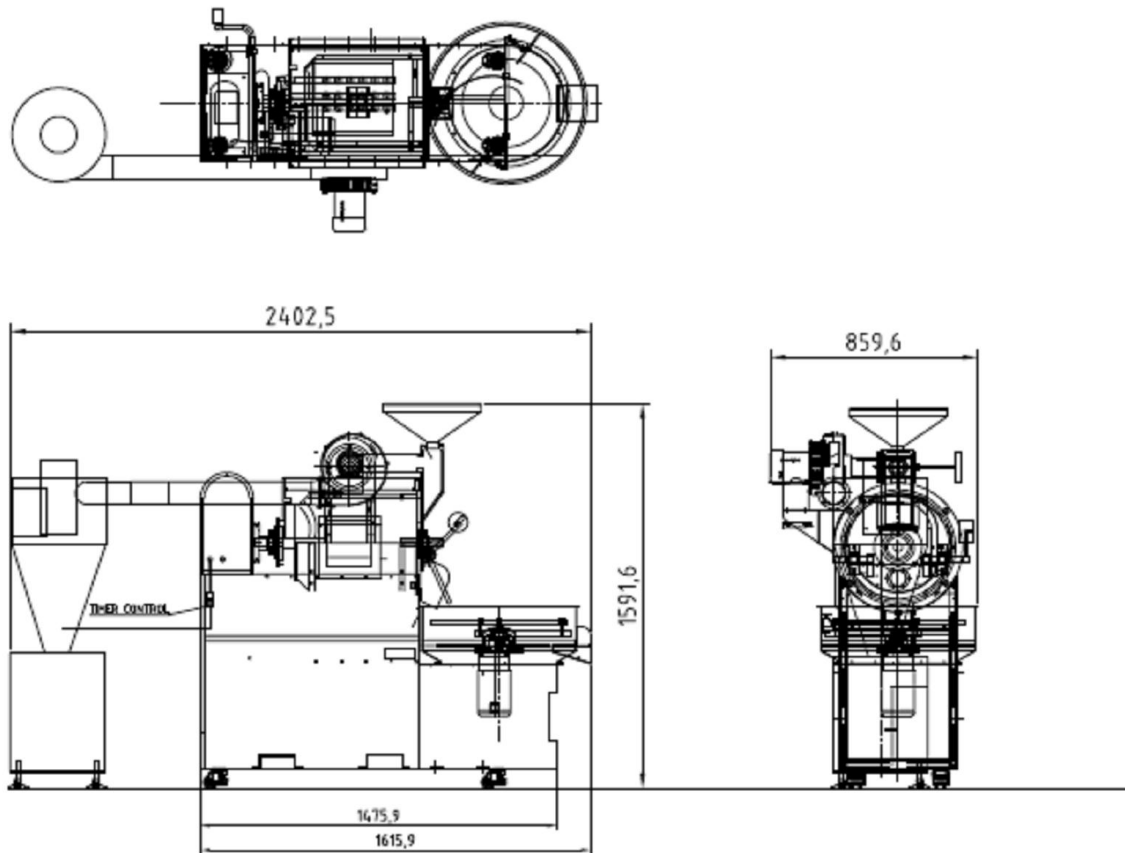
BLAST



7. SPEC

DIMENSION (W) x (L) x (H) mm	2400 x 860 x 1600 (installed Afterburner 2200)mm / Weight 430kg
EXHAUST DIAMETER	Exhaust 150/ Cooling 100 / (Installed Afterburner Exhaust 200/ Cooling 100)
POWER	1 PHASE 220V 50~ 60Hz
WORK CAPACITY	MAX 10kg / batch
WORKING TIME	5~20 MINS
POWER CONSUMPTION	2.0 kw
GAS PRESSURE	LOW PRESSURE FOR HOME USE(the size of cork valve depends on gas consumption)
GAS CONSUMPTION	LPG 1.8kg/hr LNG 21,000kcal/hr (83,000 Btu)

8. SIZE



9. PREPARATION: EXHAUST HOLE, GAS AND POWER SUPPLY, ELECTRONIC EXTENSION(if needed), Afterburner(if needed)

10. WARRANTY

ONE FULL YEAR FROM THE PURCHASE DATE

TWO YEARS PARTS WARRANTY IN CASE OF DIRECT PURCHASE FROM KOREA

WARRANTY IS NOT VALID IN CASE OF FOLLOWINGS.

- 1) SECOND-HAND MACHINE
- 2) NO SERIAL NO.
- 3) PROBLEMS FROM NOT FOLLOWING MANUAL GUIDELINE.
- 4) TROUBLES FROM WRONG GAS TYPE OR POWER, POOR PIPE LINE WORK, HUMIDITY, NO EARTH
- 5) NATURAL DISASTER / 6) POOR MAINTENANCE-CLEANING / 7) DIFFERENT USAGE / 8) INTENDED MISTAKE, MODIFICATION, SHOCK, DAMAGE, MAINTENANCE FROM NOT AUTHORIZED PERSON
- 9) NO OSERVATION DURING ROASTING.
- 10) USAGE OF NON GENUINE PARTS, CLEANING WITH WATER
- 10) FROM NOT FOLLOWING GENERAL SAFETY REGULATIONS
- 11) FROM EXTERNAL SURROUNDINGS
- 12) REWORK
- 13) CONSUMABLES

PROASTER
프로스터

T. (032) 624 3410~3

F. (032) 624 3414

E. taehwan.mj@gmail.com